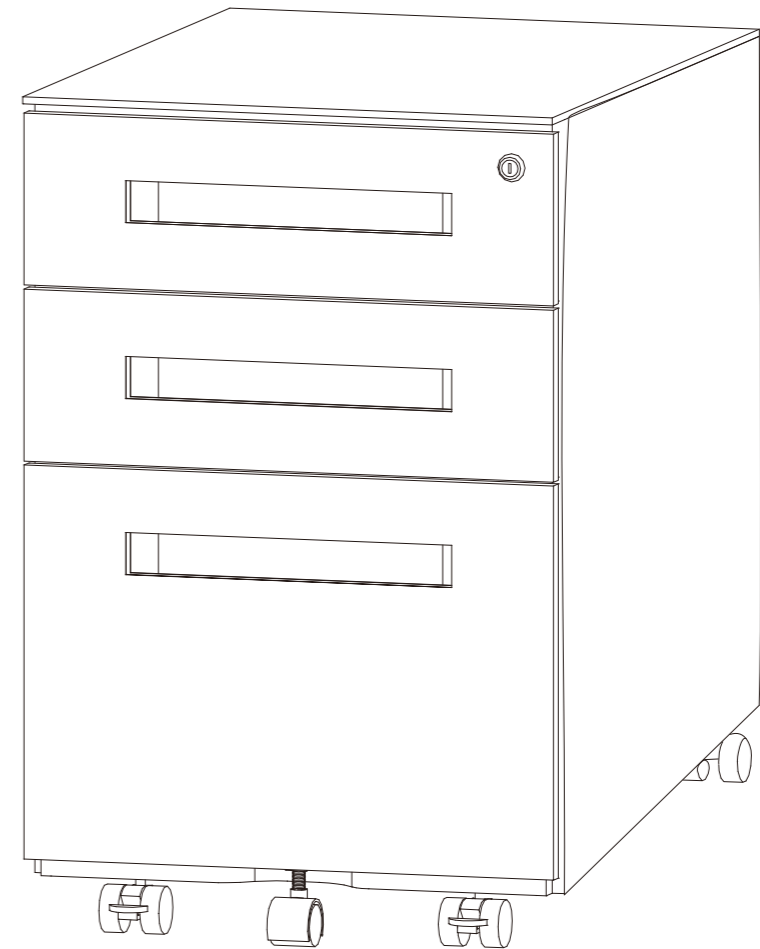
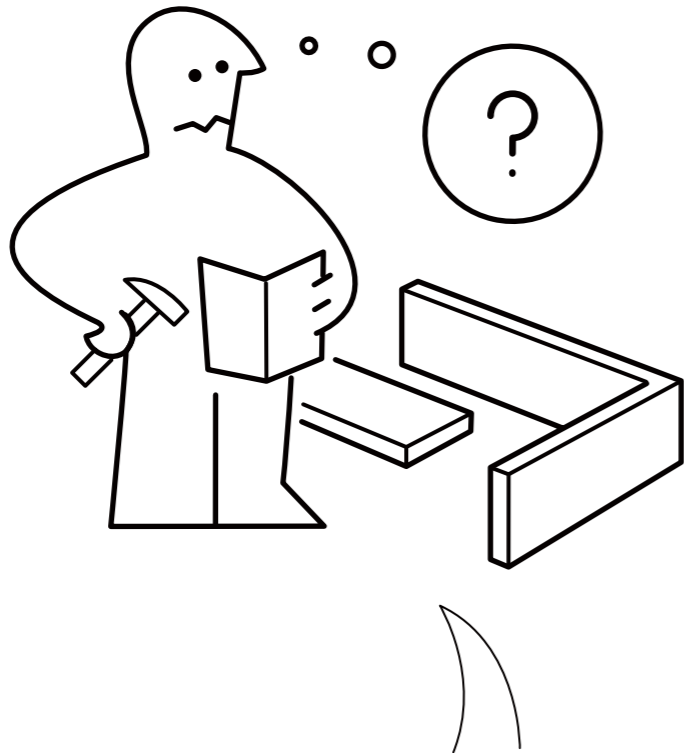
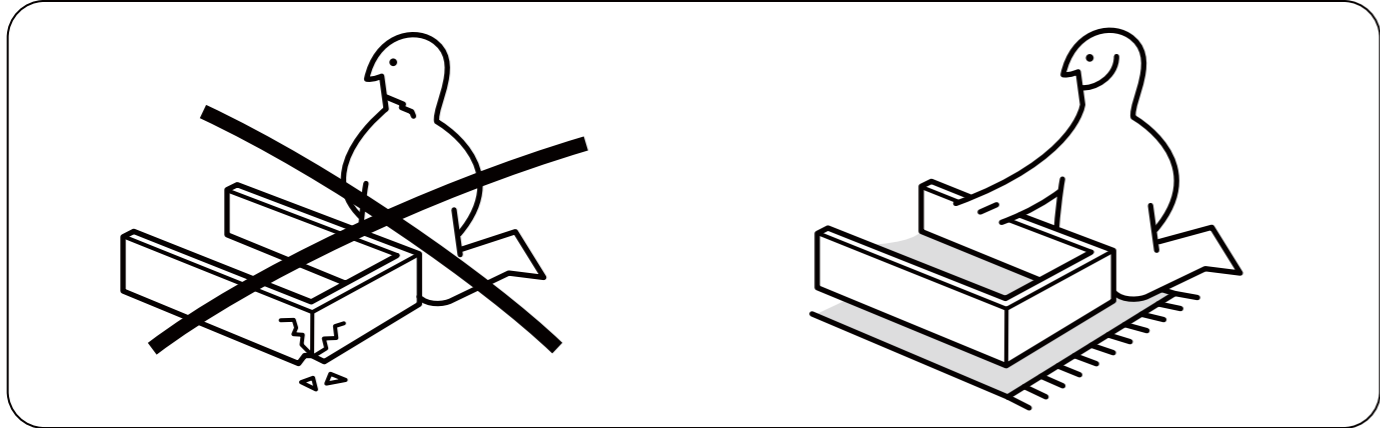


FLEXISPOT



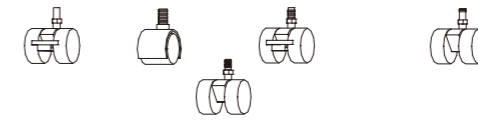
Item No. CB31B / CB31W
Installation Guide

Assemble Item On a Clean Flat Surface

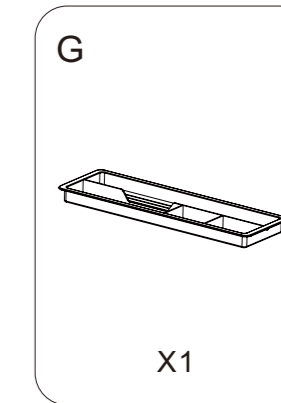
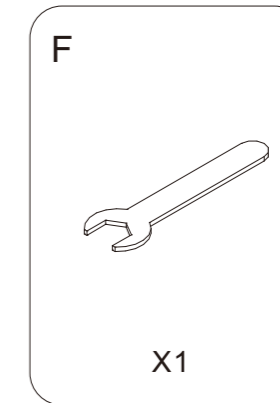
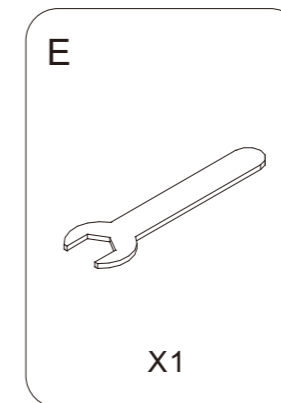
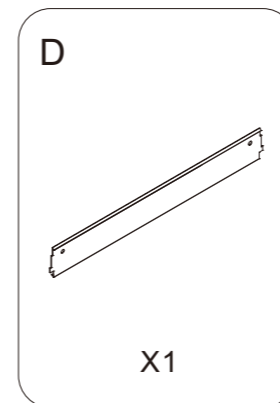
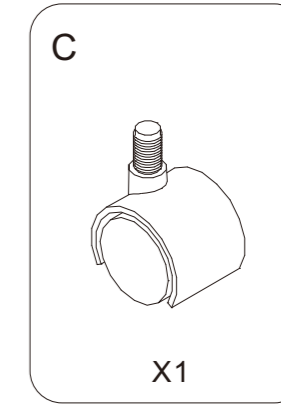
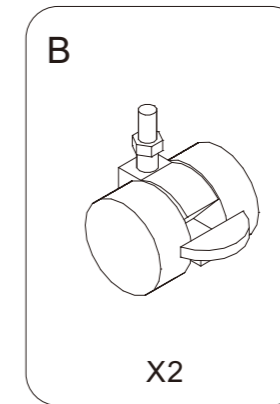
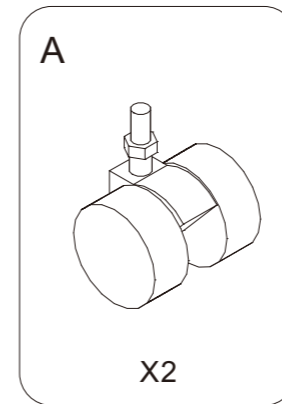


- Please check you have all hardware before assembling.
- Please ensure you have the name of the item and hardware part required and quantity.
- Please contact us by mail, if you have any questions, and we will reply you ASAP.
- Enjoy your new purchase!

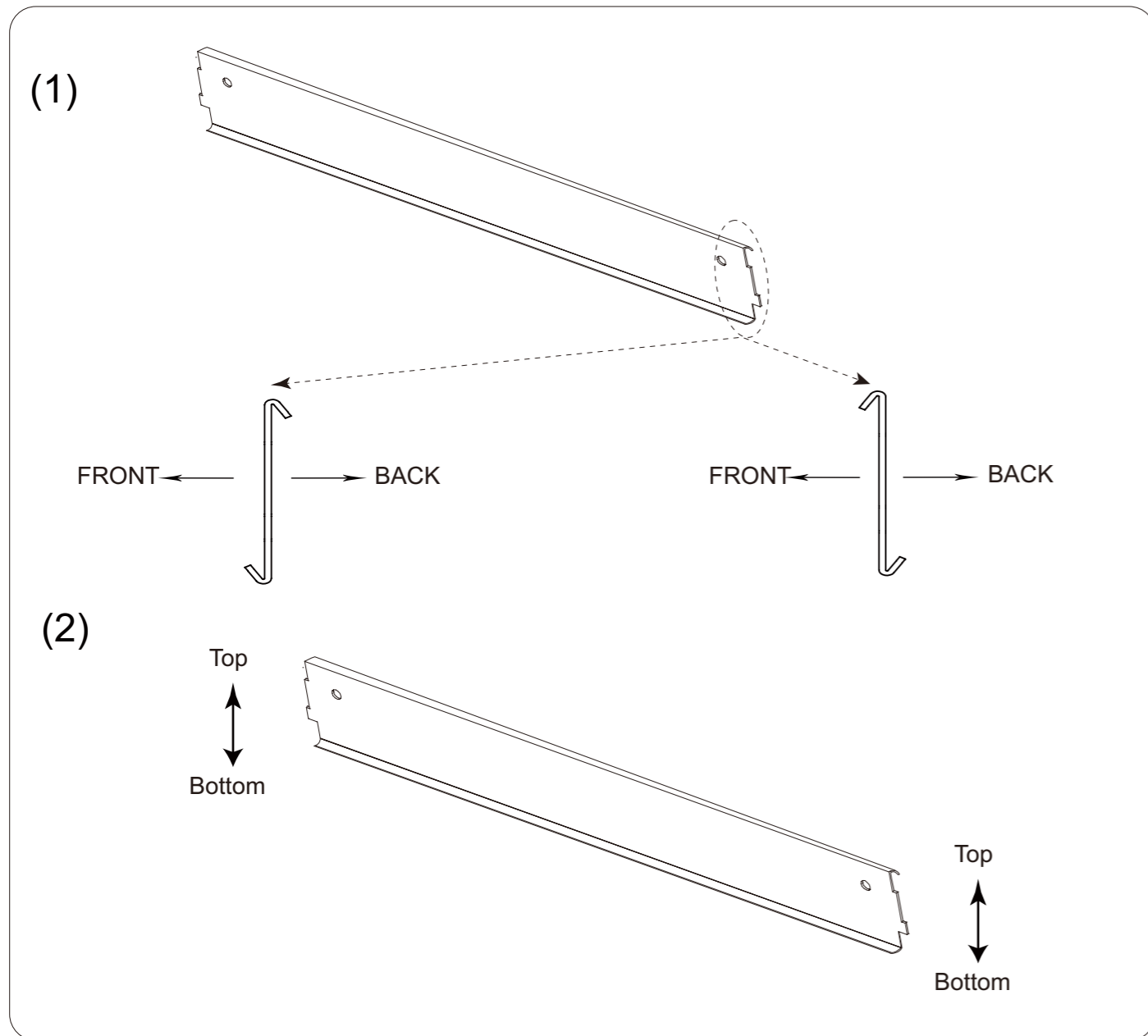
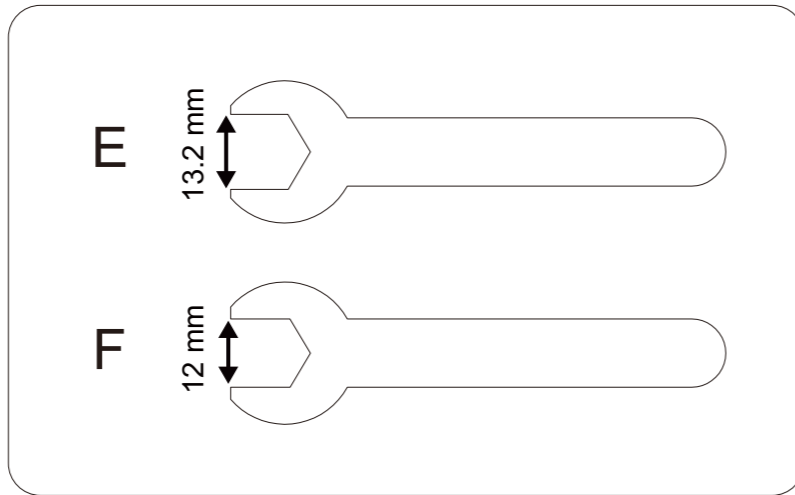
EXPLODED DRAWING



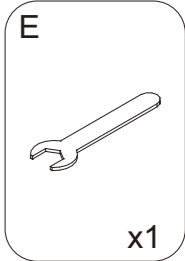
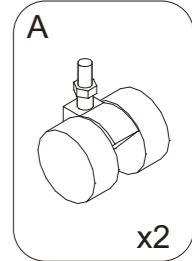
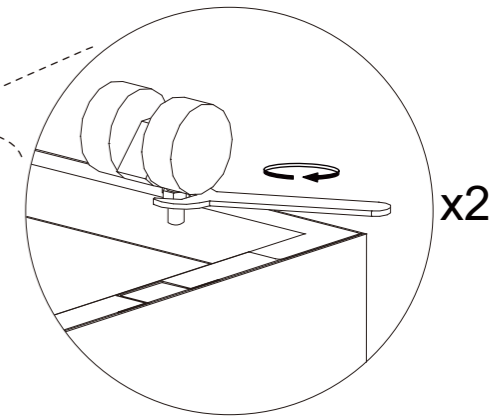
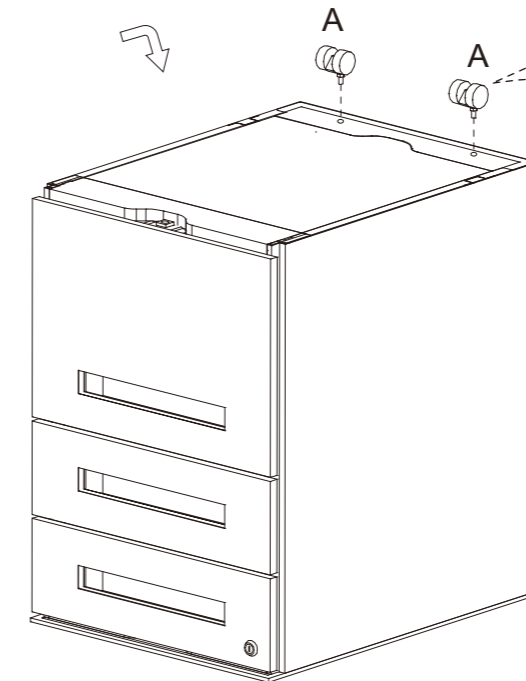
PARTS



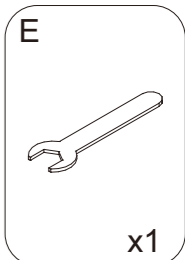
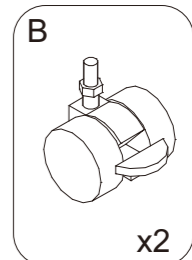
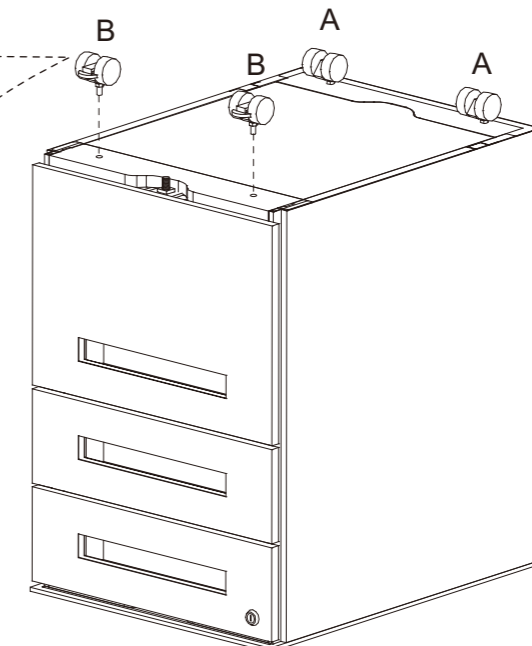
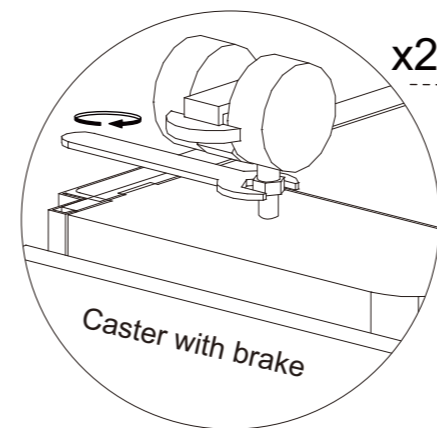
REMARK



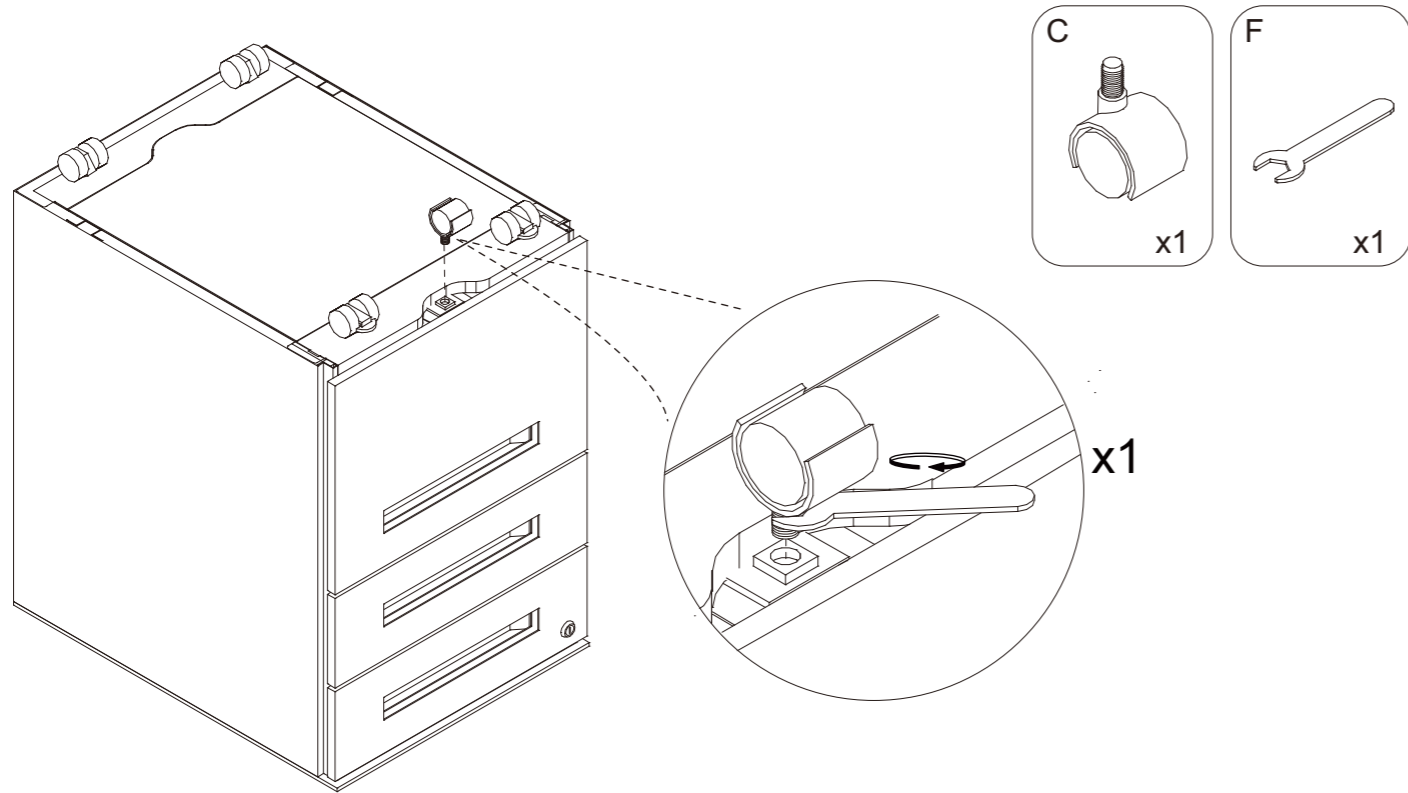
Step 1



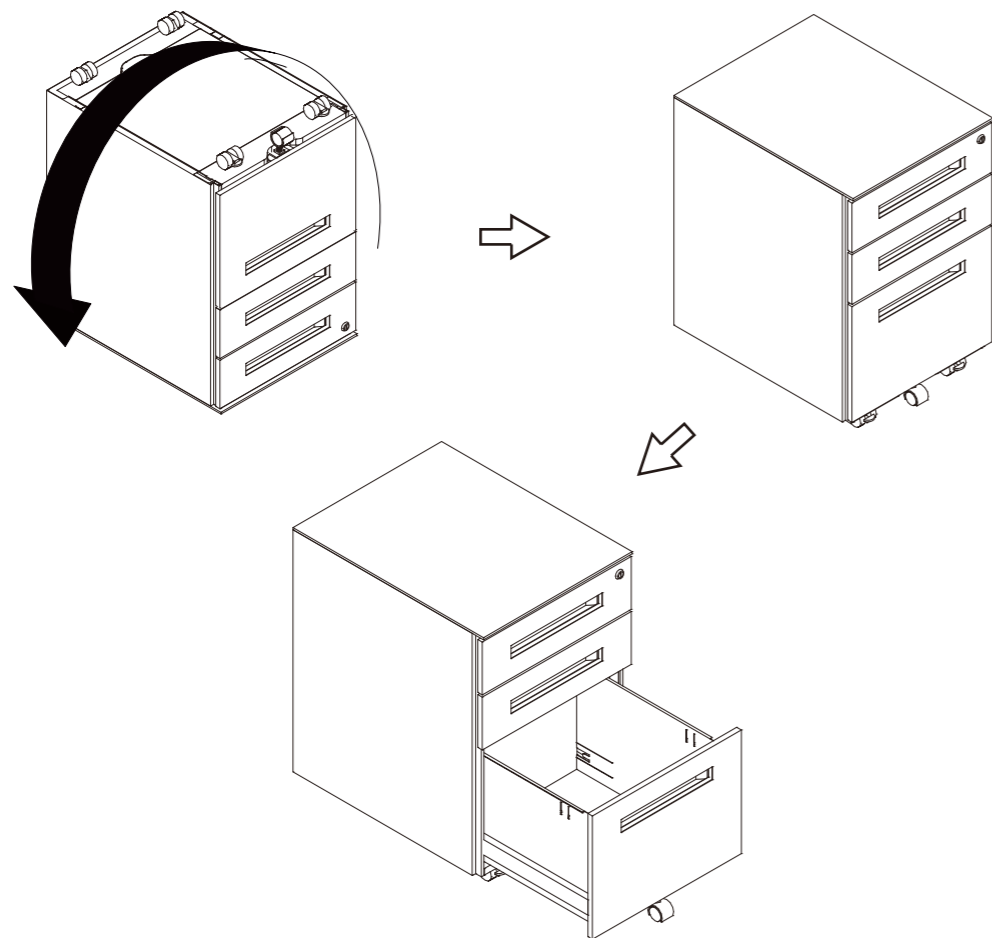
Step 2



Step 3

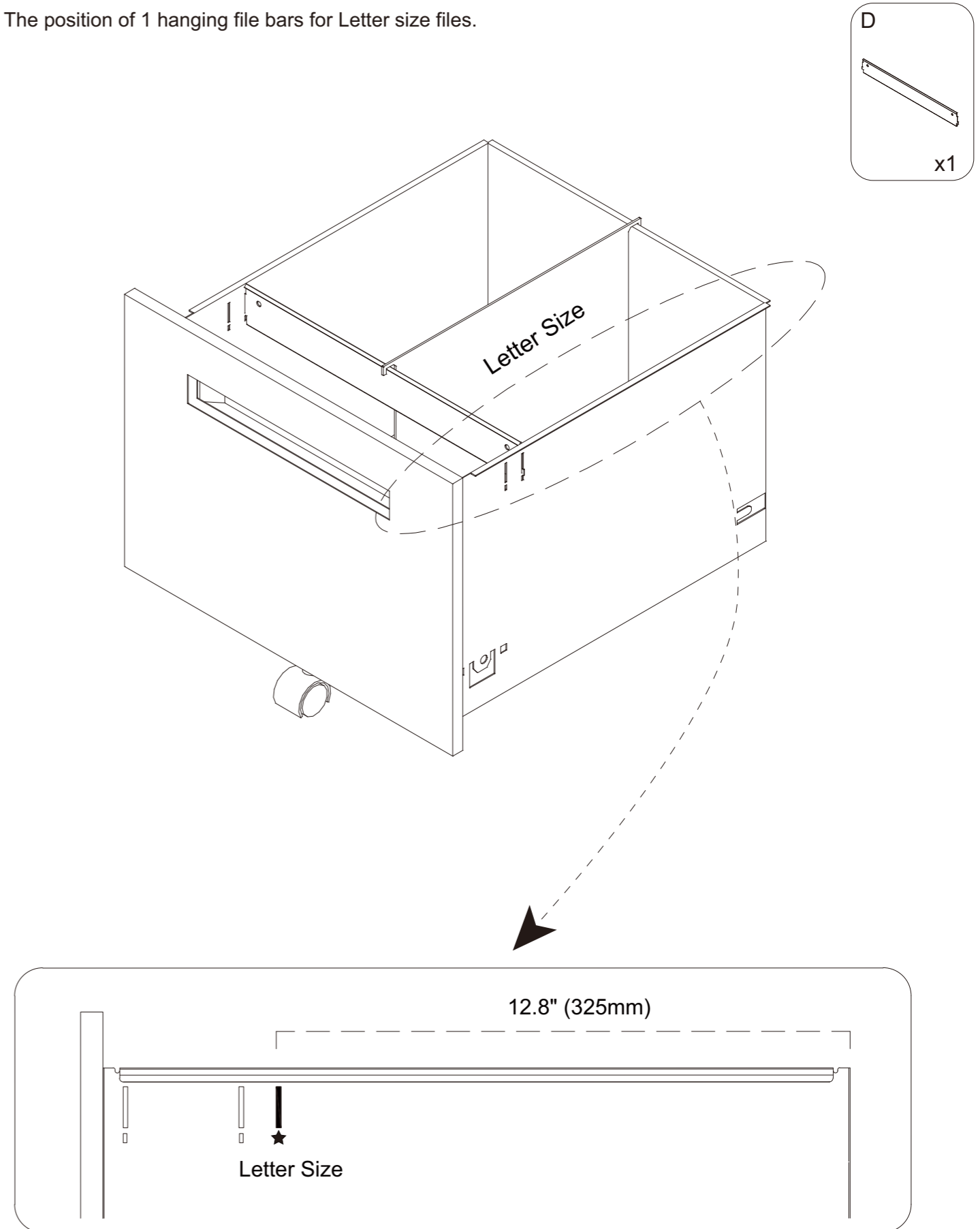


Step 4



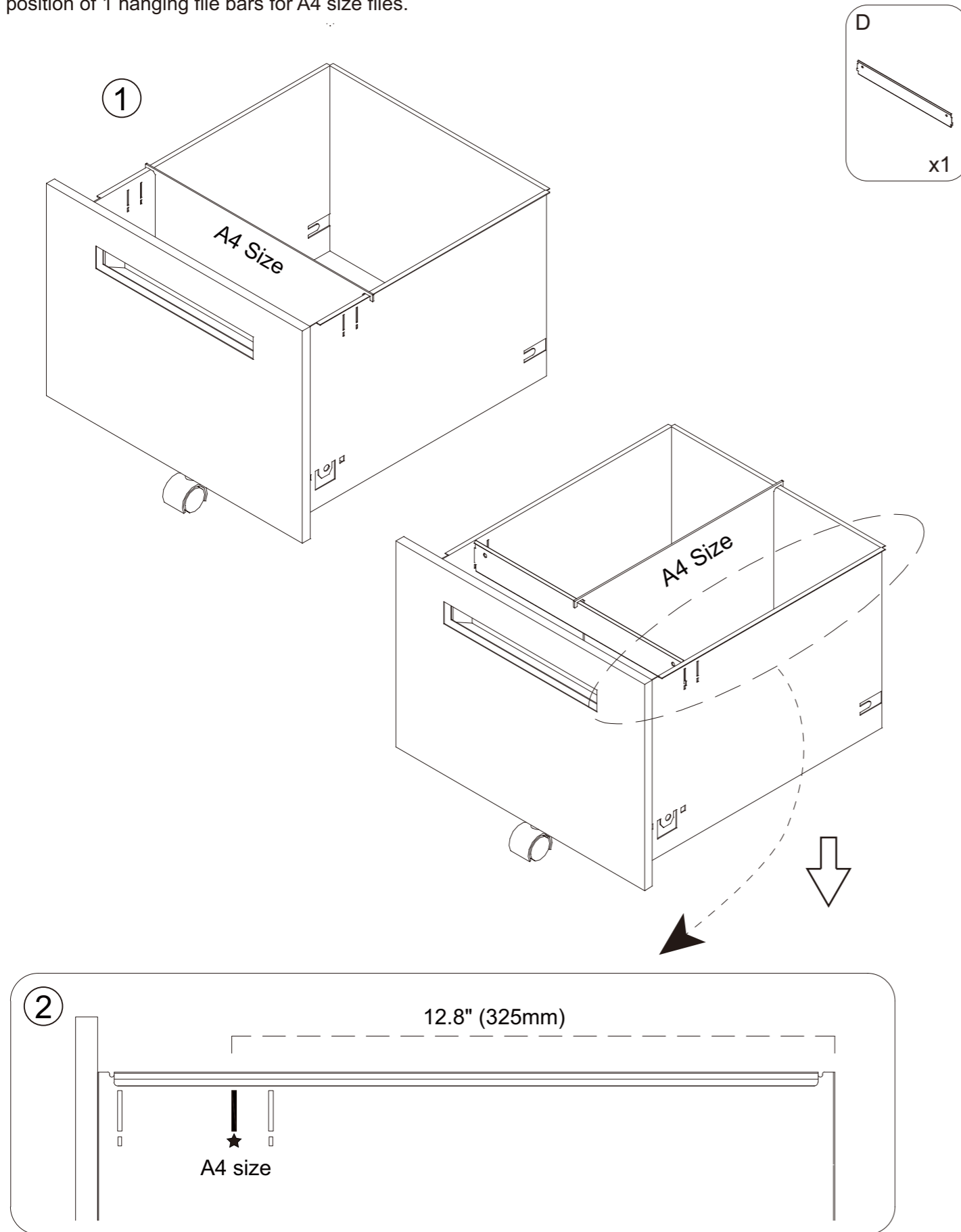
Step 5

The position of 1 hanging file bars for Letter size files.



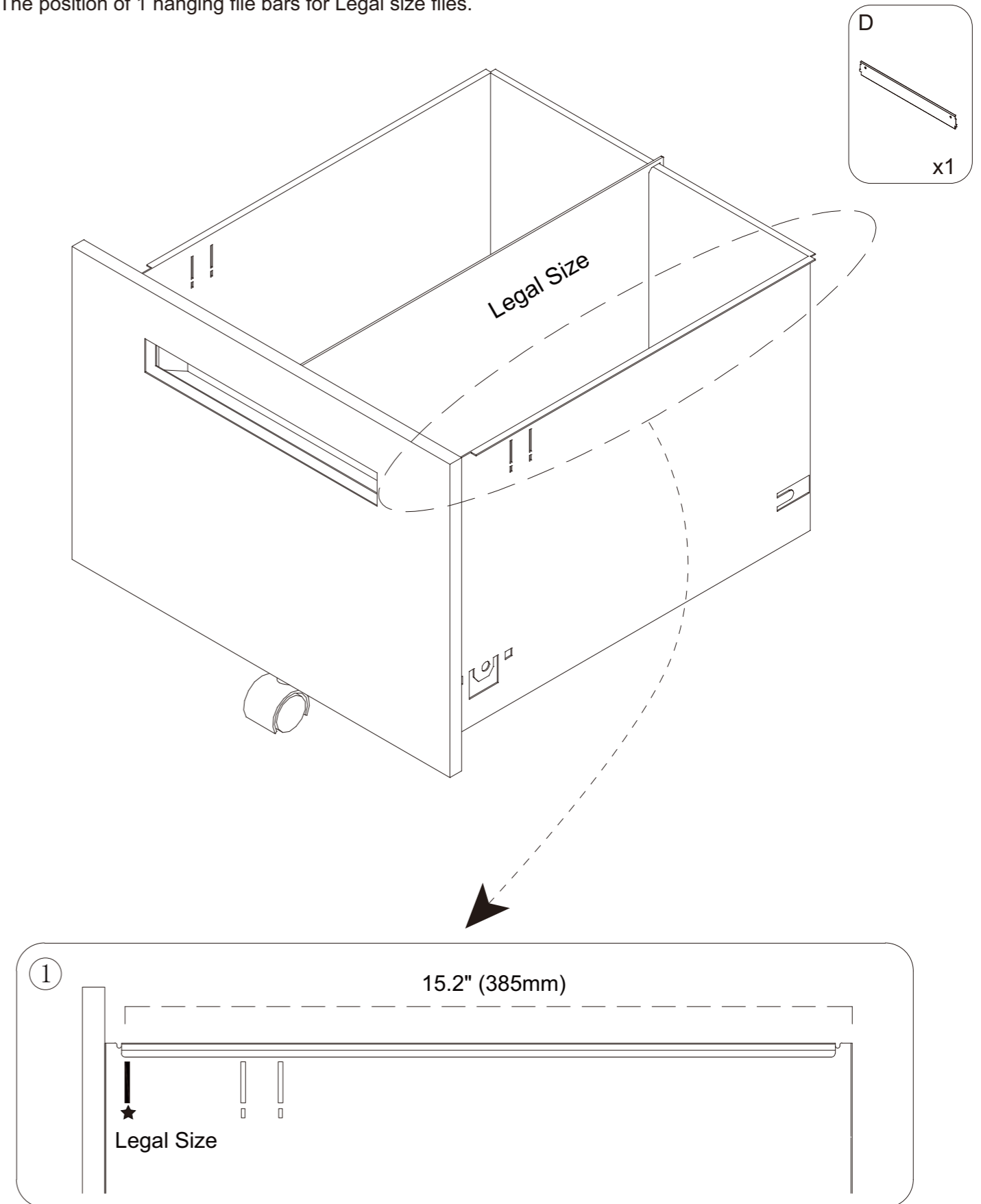
Step 6

The position of 1 hanging file bars for A4 size files.



Step 7

The position of 1 hanging file bars for Legal size files.



REMARK

Install or adjust the hanging file bar, please follow the below method.

